



# DANPAVAULT

Barrel Vault Skylight System



SKYLIGHTS





# BARREL VAULT SKYLIGHT SYSTEM



DATING BACK TO ANCIENT BABYLONIA, THE BARREL VAULT CEILING HAS THE POWER TO ADD A SENSE OF SPACE, AND DRAMATICALLY FRAME THE VIEW - MAKING THE LANDSCAPE PART OF THE BUILDING. BY ALLOWING HIGH LEVELS OF LIGHT INTO THE BUILDING, THE BARREL VAULT SKYLIGHT PROVIDES EXCELLENT LONGEVITY WITH HIGH LIGHT TRANSMISSION PROPERTIES. LITTLE WONDER IT'S BEEN AROUND FOR NEARLY FOUR MILLENNIA.



**Total flexibility - self supporting or designed to fit any structure**

The Danpavault system can be installed as a self-supporting skylight or over a metal structure, covering a large range of radii and spans. It can be installed over small or large spans by adding aluminium framing options, such as spacers, bars or connectors.

# A POWERFUL COMBINATION: DANPAVAULT AND DANPALON®

## The best of Danpavault - unlimited length and flexibility

The Danpavault barrel vault skylight system combines all the advantages of Danpalon® together with a skylight of an unlimited length, offering easy integration with various roof types including profiled metal and concrete.

## The optimal spread of light

Danpavault's unique structure transmits an even diffusion of natural light, delivering superior durability, thermal insulation and extended UV protection.





## SYSTEM BENEFITS

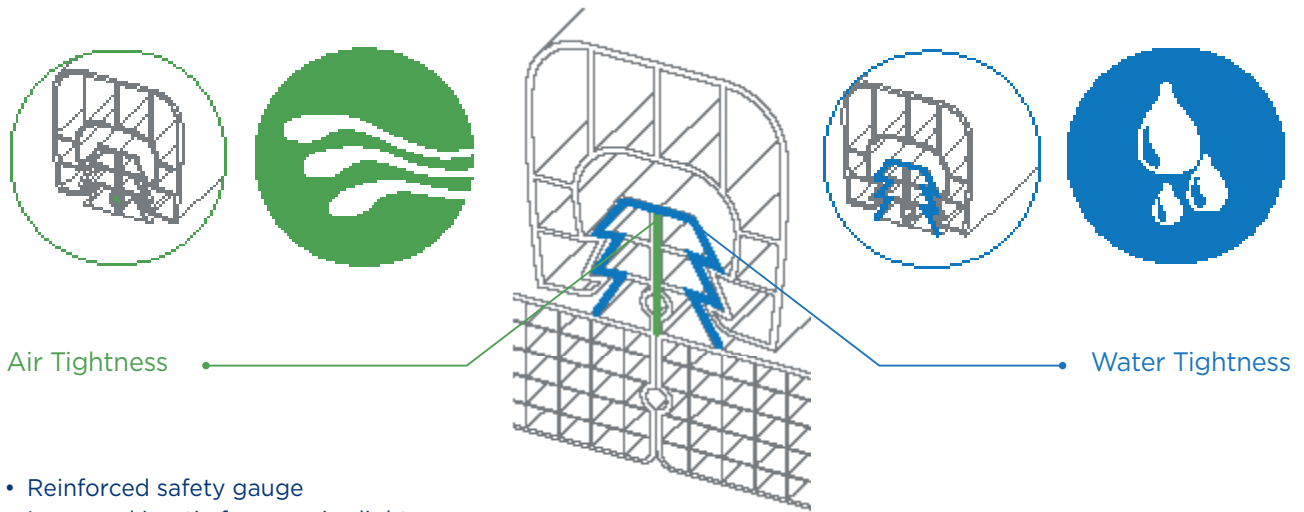
- Unlimited length
- Allows a greater amount of light compared to flat light openings, per area of roof light opening
- Self-supporting skylight
- Easy to install and compatible with many roof types
- Excellent light diffusion
- 100% watertight
- High load capacity



ARLAB, Saint-Nazaire, France

## THE BEST OF DANPALON® - HIGH IMPACT AND WEATHER RESISTANCE

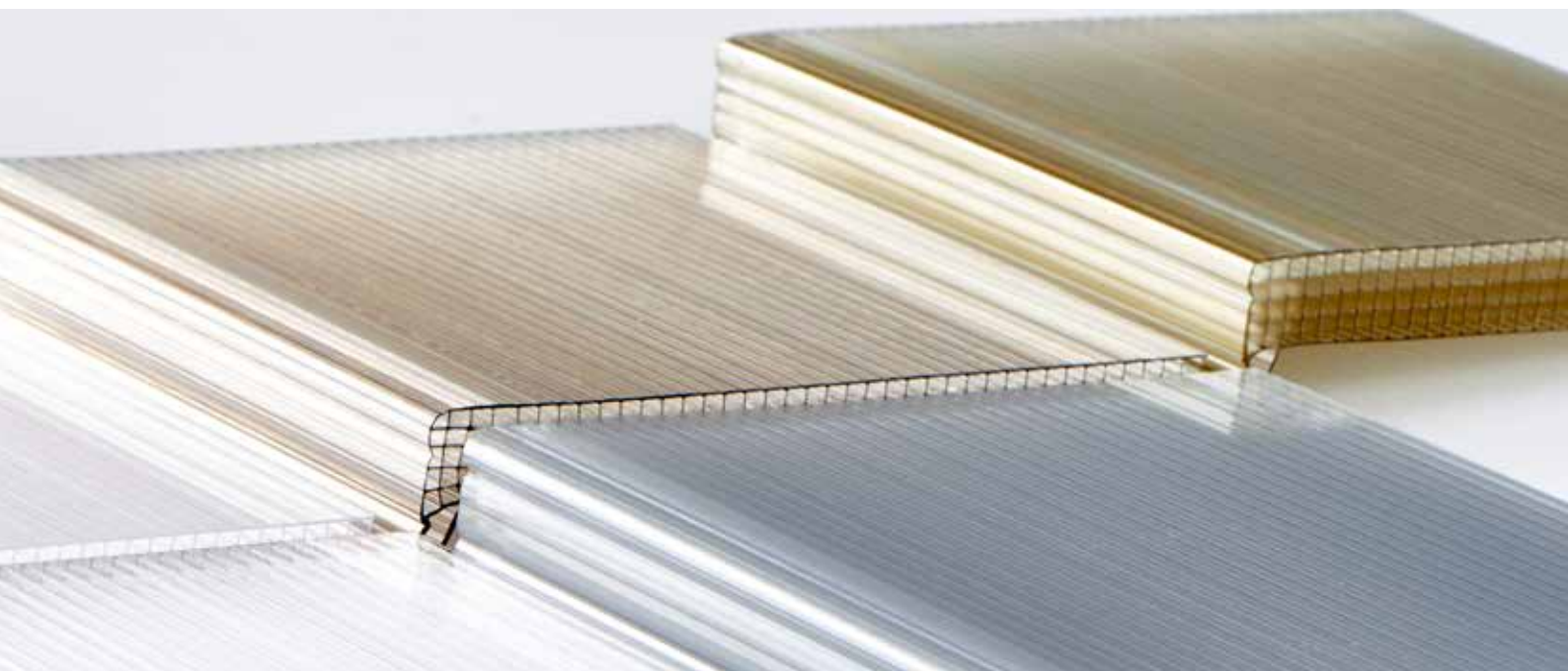
Due to the tightness between the vertical supports, Danpalon® Microcell offers the highest resistance to impact and hail damage. The high concentration of cells provides Danpalon® Microcell with improved mechanical properties and rigidity.



- Reinforced safety gauge
- Improved inertia for superior lightness
- The very best air and water tightness available

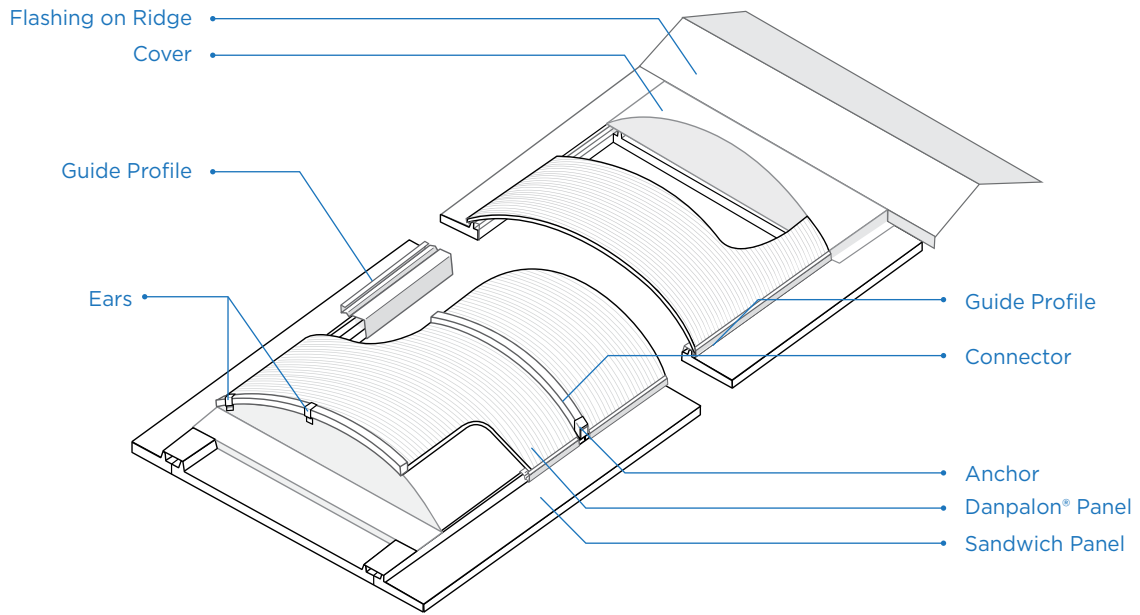


Industrial Claraboya Workshops Göttert | Buenos Aires | Danpavault System

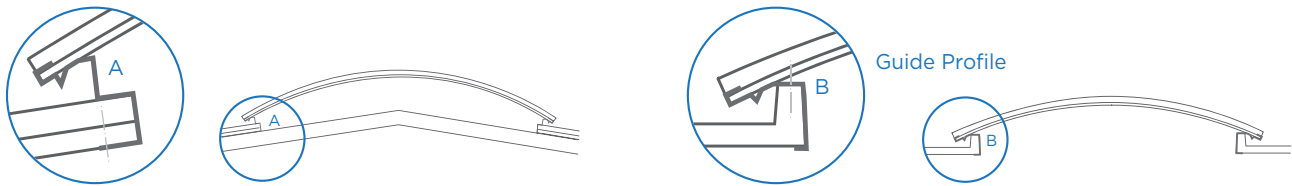


# TYPICAL SECTION

## SKYLIGHT ON GABLE



## OVERHEAD ROOF OR ON RIDGE



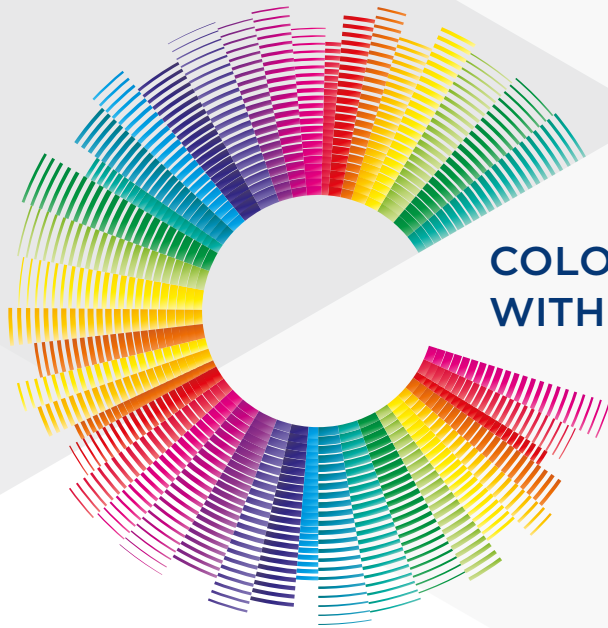
Note: The Guide Profile should always be screwed on the belt or socle.

### DP 610, MAXIMUM SPAN FOR ARCHES

RADIUS	SNOW LOAD (KG)	DISTANCE BETWEEN SUPPORTS (MM)
2.5	60	2000
	90	1750
	120	1500
3	60	1900
	90	1550
	120	1350
4	60	1650
	90	1400
	120	1200
5	60	1500
	90	1250
	120	1100
6	60	1400
	90	1150
	120	1000

### DP 616, MAXIMUM SPAN FOR ARCHES

RADIUS	SNOW LOAD (KG)	DISTANCE BETWEEN SUPPORTS (MM)
3	60	2700
	90	2200
	120	1950
4	60	2400
	90	1950
	120	1700
5	60	2200
	90	1950
	120	1700
6	60	1950
	90	1600
	120	1400



## COLOUR YOUR ATMOSPHERE WITH THE DANPAL® PALETTE

### ABOUT THE COMPANY

#### Innovative light architecture systems for building envelopes

Danpal® are creators of exceptional light-transmitting architectural systems for building envelopes, providing optimal solar and thermal comfort.

For 50 years, our innovative systems have helped architects to transform light (both natural and artificial) into a powerful and versatile tool, for architectural creations that are internally and externally radiant.

An industry visionary, Danpal® are originators of the Danpalon® translucent panel standing seam system - a light architecture solution used around the world in commercial, education, transport, health, sports and high-tech projects.

Today, the company offers complete systems - providing total solutions for the building envelope. Danpal® designs, manufactures and distributes an unmatched range of daylighting systems for all types of building requirements - from facades, cladding, roofs, skylights, shading, to interior and outdoor applications.

Danpal® systems are built around innovative technologies, deep architectural know-how and the ever evolving needs of our clients. Operating in five continents, Danpal® inspires architectural creativity with its rainbow of light architecture solutions.

#### Danpavault is an integral part of Danpal's range of systems - giving you a complete solution



FACADES



CLADDING



SKYLIGHTS



OUTDOOR



SHADING



INTERIOR

[www.danpal.com](http://www.danpal.com)

**Danpal®**  
Light Architecture